

# MT Range of Multi-Tone Sounders and Beacons



DATASHEET

Banshee<sup>MT</sup>

Wafer<sup>MT</sup>

FlashTone<sup>MT</sup>

FlashDome<sup>MT</sup>

**VIMPEX**

Shaping Alarm Technology

# MT Range



The MT Range of Multi-Tone sounders and beacons represents the most modern, acoustically advanced and by far the most versatile range of conventional electronic sounders, combined units and dedicated beacons available on the market today.

The Banshee<sup>MT</sup>, FlashTone<sup>MT</sup> and Wafer<sup>MT</sup> come with 32 user-selectable tones incorporating low frequencies, high frequencies, European, American and Australian norms and all industry-standard frequency patterns. Tested and approved to EN 54 Part 3, the MT range boasts leading acoustics, modern curves and low power consumption.

The Wafer<sup>MT</sup> is the thinnest platform sounder on the market and is renowned for its 360° sound dispersal. With beauty running in the family, the FlashTone<sup>MT</sup> sounder/beacon unit offers all the modern features and functionality of the Banshee<sup>MT</sup> but with the addition of several different coloured beacon lenses to enhance the evacuation signal. The FlashDome<sup>MT</sup> stand-alone beacon features ultra-efficient LEDs and is ideal for use in fire alarm systems which need to be upgraded or designed for conformity to DDA requirements.

The Multi-Tone range is complemented by a wide selection of accessories to suit all applications. Together, the MT Range is unmatched for diversity and ease of installation.

## Banshee<sup>MT</sup>

- Industry leading sounder with enhanced aesthetics
- 32 user-selectable tones - industry standard compatible
- EN 54 part 3 tested and compliant with the CPD
- LPCB and VdS approved
- Simple push and twist bayonet mounting with locking screw
- Easy to install with side and rear cable entry
- Robust 'two in two out' 2.5mm terminals
- Choice of three volume levels
- Very low current consumption
- Extensive series of accessories for a wide range of applications



## Wafer<sup>MT</sup>

- 32 tones designed to be compatible with Banshee<sup>MT</sup>
- EN 54 part 3 tested and compliant with the CPD
- Slimmest profile in the industry
- Colours matched to leading detectors
- Omni-directional sound (see Polar Plot overleaf)
- Low current consumption
- Choice of three volume levels
- Installer friendly terminals
- Suitable for ceiling or wall mounting
- Front plate for stand-alone use available
- Robust and easily connected 'two in two out' 2.5mm terminals
- Supplied with fixing screws



# FlashTone<sup>MT</sup> LED & Xenon Sounder/Beacons

With the option of low current LED or bright Xenon beacons, the FlashTone<sup>MT</sup> series is highly versatile.

Whilst most other manufacturers' strobe/sounders require a link to be manually inserted between terminals to enable the sounder and beacon functions to operate together, FlashTone<sup>MT</sup> products are fully operational without modification - a true AV unit.

If the FlashTone<sup>MT</sup> is required to operate as a dual function sounder/beacon, then the incoming terminals can be easily isolated by cutting two obvious links to allow for staged alarms and two stage gas extinguishant systems.

- Choice of LED or Xenon beacon
- Sounder and beacon operate with no links required
- Easily isolated for two stage operation
- Wide range of colour combinations
- EN 54 part 3 tested and compliant with the CPD

CE  
0832



## FlashDome<sup>MT</sup> LED Beacon

Building on the success of the Banshee<sup>MT</sup> range and completing this class-leading group of products, is the FlashDome<sup>MT</sup>.

The FlashDome<sup>MT</sup> features ultra-efficient LEDs and is ideal for use in fire alarm systems which need to be upgraded or designed for conformity to DDA requirements.

The FlashDome<sup>MT</sup> is 100% compatible with the rest of the MT range and utilises the same shallow and deep bases and broad range of accessories.

- Ultra-efficient LEDs
- Very low current consumption
- Compatible with other MT products and accessories
- Sleek, low-profile design



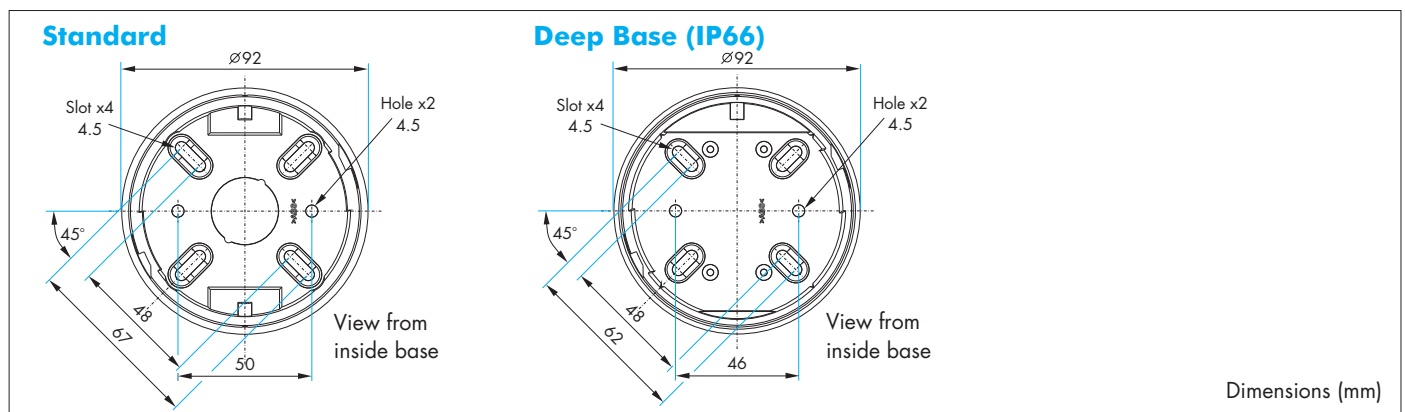
# Specification

Model	Banshee <sup>MT</sup>	Wafer <sup>MT</sup>	FlashTone <sup>MT</sup> (Xenon)	FlashTone <sup>MT</sup> (LED)	FlashDome <sup>MT</sup>
Operating Voltage	10 - 28 Vdc				
Operating Voltage (EN54-3)	12 Vdc (10 - 14 Vdc) / 24 Vdc (20 - 28 Vdc)				—
Mean Current @12V	Note 1	Note 1	Strobe: 90mA + Sounder	Strobe: 5mA + Sounder	5mA
Mean Current @24V	Note 1	Note 1	Strobe: 40mA + Sounder	Strobe: 5mA + Sounder	5mA
Body Colours	Red, White & Grey	Various whites to match detectors	Red & White	Red	Red
Temperature Range	-40 to +70°C	-40 to +70°C	-20 to +55°C	-25 to +70°C	-25 to +70°C
Weatherproofing (IP66 requires deep base)	IP45 or IP66	Internal use only	IP45 or IP66	IP45 or IP66	IP45 or IP66
Volume control (3 switch settings)	High, Medium (-10dBA), Low (-20dBA)	High, Medium (-6dBA), Low (-12dBA)	High, Medium (-10dBA), Low (-20dBA)	High, Medium (-10dBA), Low (-20dBA)	—
Connections	Screw terminals for 0.28 to 2.5mm <sup>2</sup> wire conductor				
Light Output Rating	—	—	1W	0.5Cd	1.0Cd
Flash Rate	—	—	60/Minute	60/Minute	60/Minute
Lens Colour (Polycarbonate)	—	—	Red, Clear, Green Blue & Amber	Red & Clear	Red

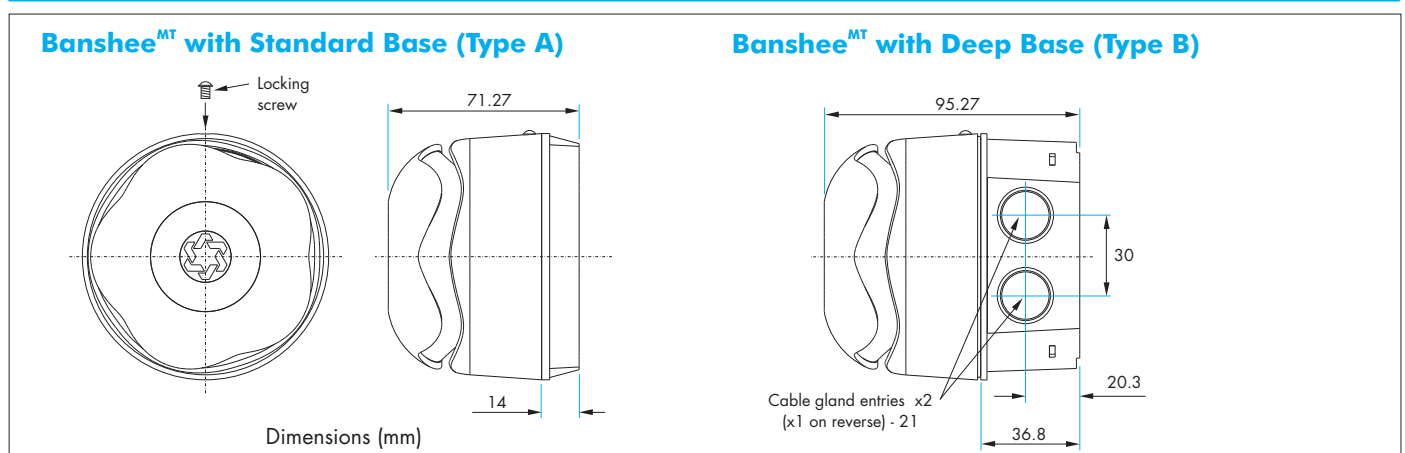
Further manufacturers acoustic data is available upon request

Note 1. See Tone Specification table on back page

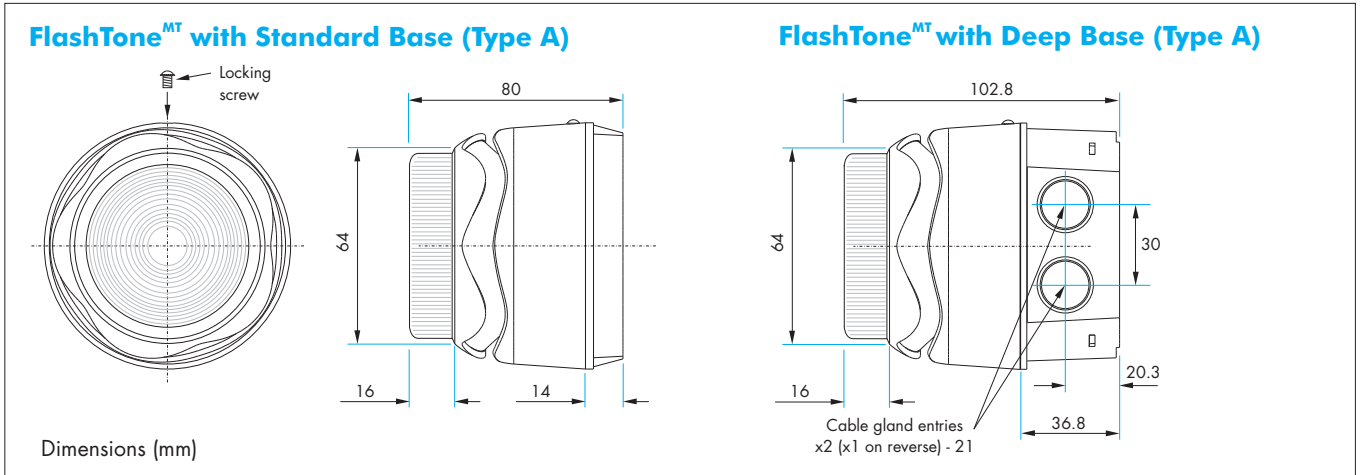
## Installation - MT Range Common Base



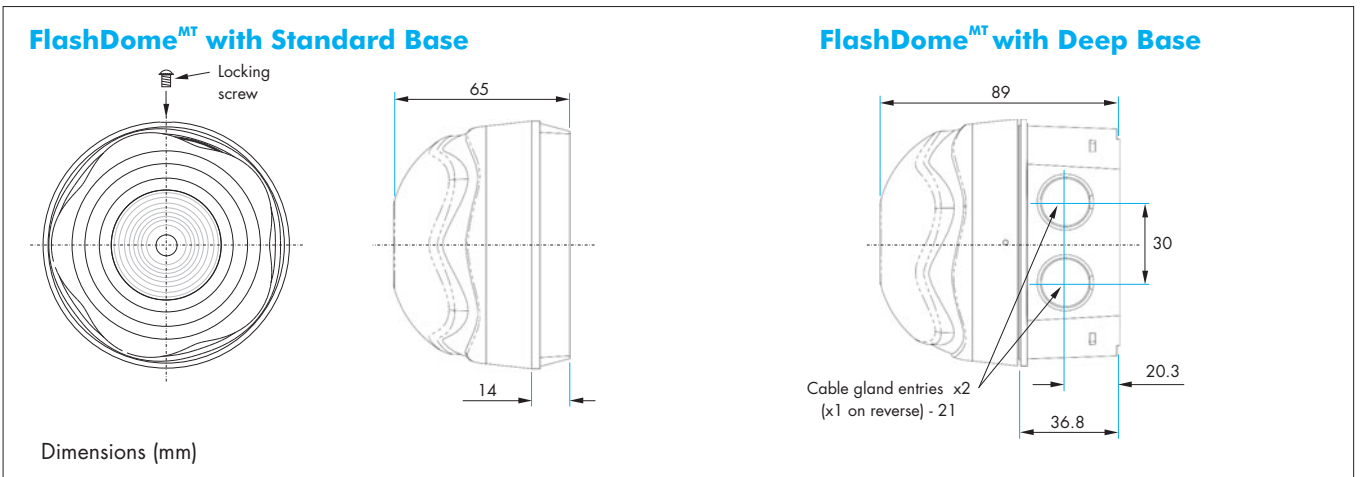
## Installation - Banshee<sup>MT</sup>



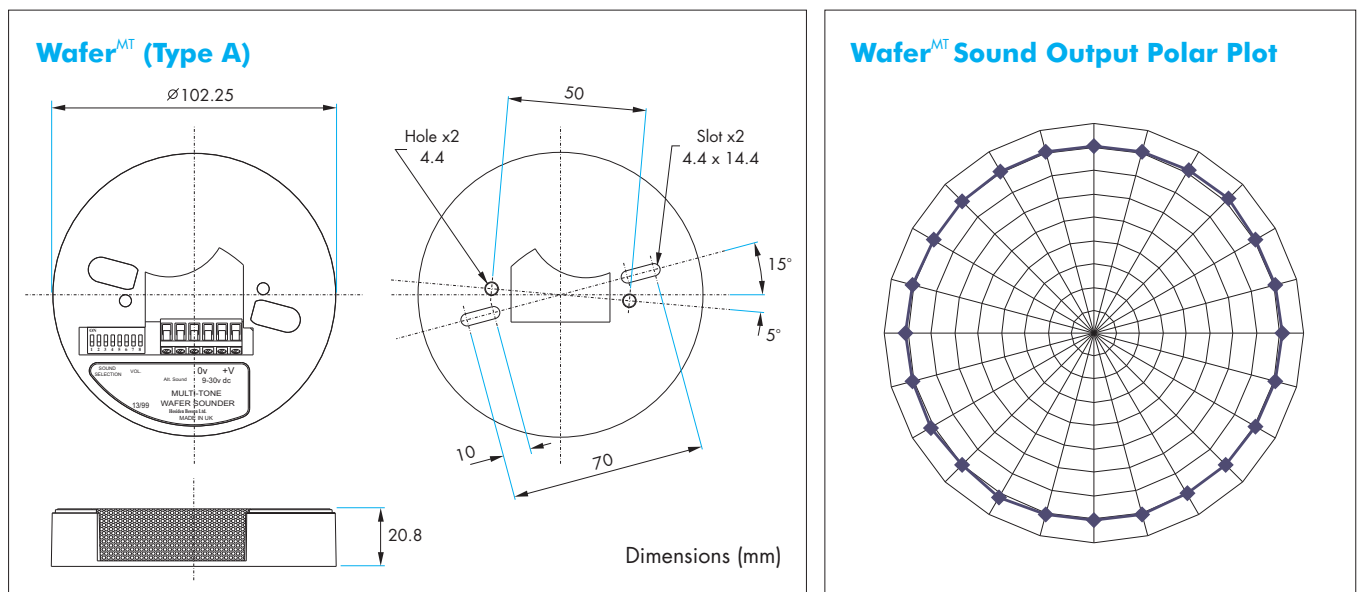
# Installation - FlashTone<sup>MT</sup>



# Installation - FlashDome<sup>MT</sup>



# Installation - Wafer<sup>MT</sup>



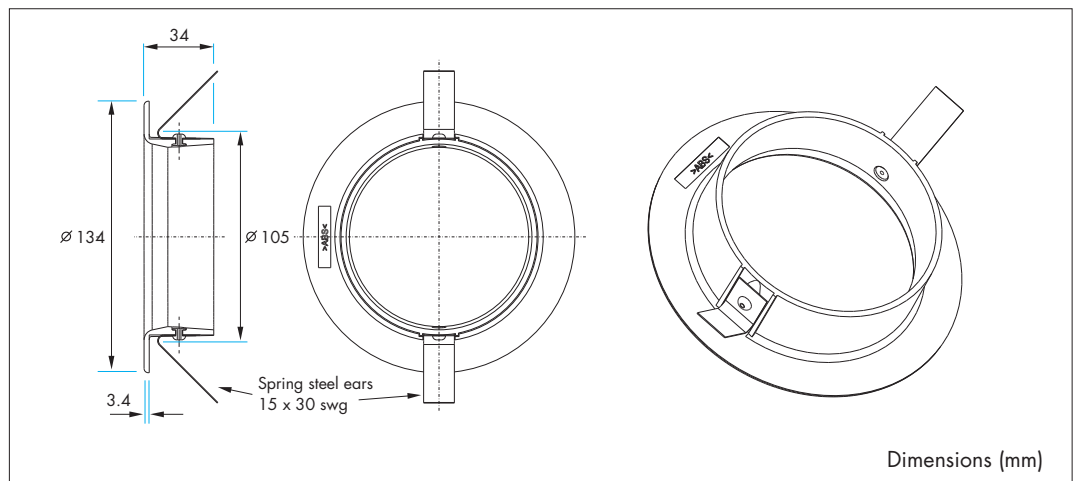


# Accessories Specification

Accessory	Part No.	Use with ▷	Banshee <sup>MT</sup>	FlashTone <sup>MT</sup>	FlashDome <sup>MT</sup>	Wafer <sup>MT</sup>
Flush Mounting Ring	8502900		✓	✓	✓	
Combination Bracket	8503000		✓	✓	✓	
Mains Pack 110/230 Vac to 24 Vdc	8502700		✓	✓	✓	
Wall Fixing Clip	8503100		✓	✓	✓	
Wafer <sup>MT</sup> Cable Spacing Ring	8502800					✓
Steel Web Stopper: Low Profile Cage (Supplied with full fixing kit)	S9615/A		✓	✓	✓	
Steel Web Stopper: Surface Wiring Cage (Supplied with full fixing kit)	S9605		✓	✓	✓	✓
Steel Web Stopper: Wafer/Bell Cage - Flush wiring (Supplied with full fixing kit)	S9604					✓

# Accessories Installation

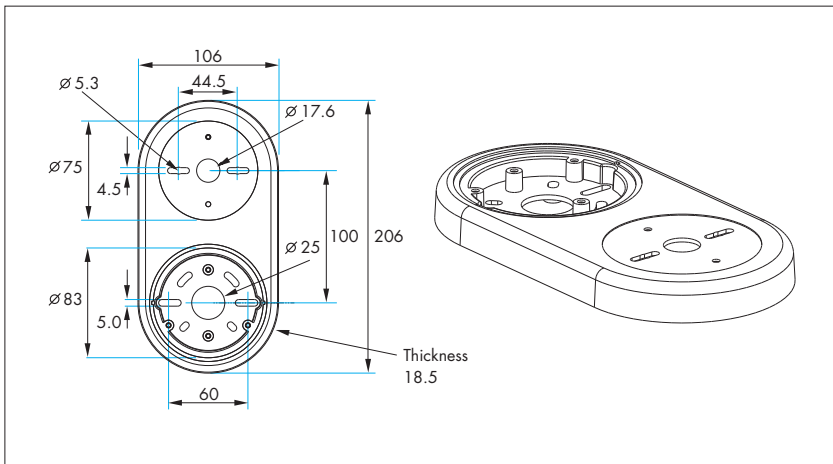
## Flush Mounting Ring



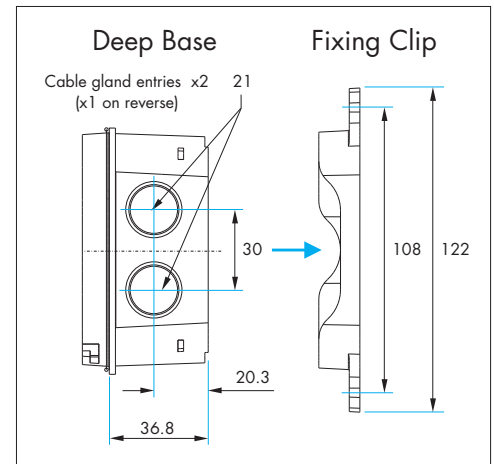
# Accessories Installation

Dimensions (mm)

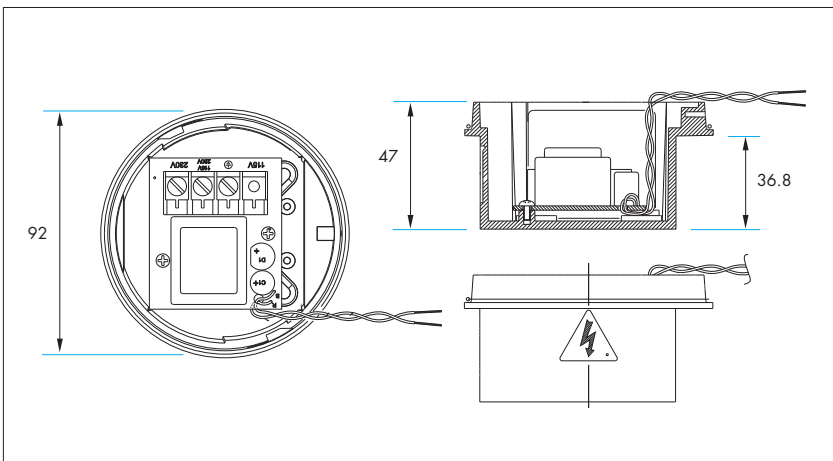
## Combination Bracket



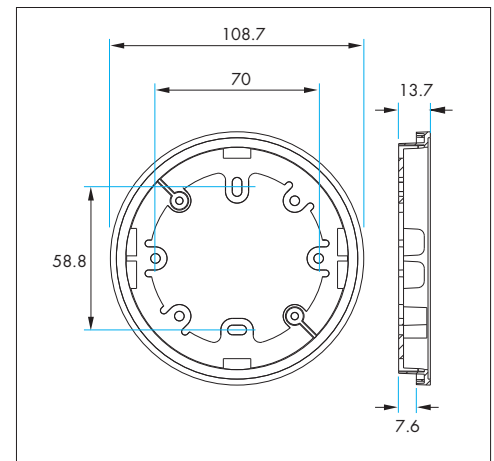
## Wall Fixing Clip & Deep Base



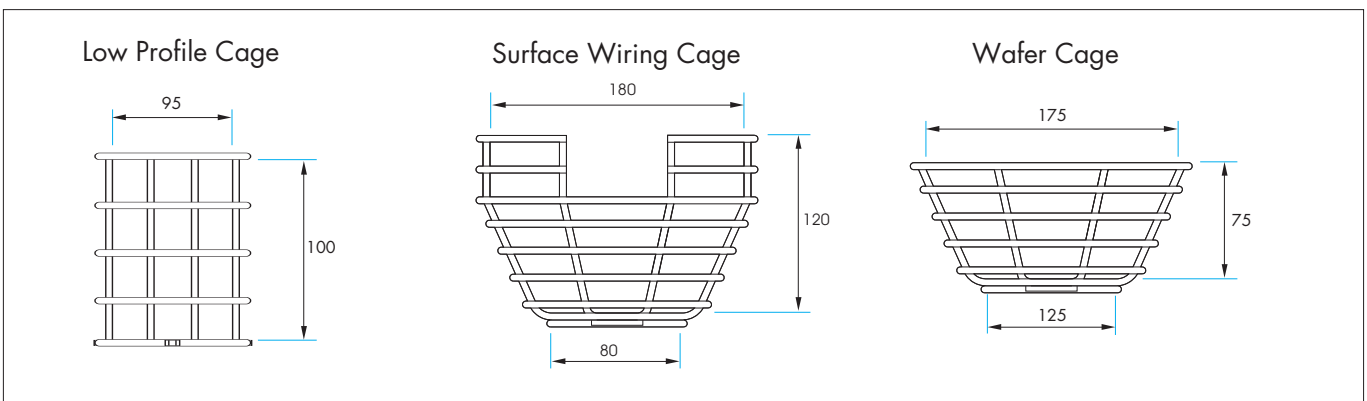
## Mains Pack



## Wafer<sup>MT</sup> Cable Spacing Ring



## Steel Web Stopper



# Tone Specification

Tone Information		2nd Tone#		Banshee <sup>MT</sup> FlashTone <sup>MT</sup> (12V)		Banshee <sup>MT</sup> FlashTone <sup>MT</sup> (24V)		Wafer <sup>MT</sup> (12V)		Wafer <sup>MT</sup> (24V)	
No.	Description	Frequency and Timing		dBA (Typ)	mA (Typ)	dBA (Typ)	mA (Typ)	dBA (Typ)	mA (Typ)	dBA (Typ)	mA (Typ)
1	Banshee LF Buzz	800Hz to 950Hz swept at 120Hz <sup>†</sup>	4	94	6	100	12	85	6	91	13
2	Banshee LF Fast Sweep	800Hz to 950Hz swept at 9Hz <sup>†</sup>	4	94	6	100	12	84	6	90	13
3	Banshee LF Slow Sweep	800Hz to 950Hz swept at 3Hz <sup>†</sup>	4	94	6	100	12	84	6	90	13
4	Banshee LF Continuous	Continuous at 850Hz <sup>†</sup>	4	95	6	101	12	84	6	90	13
5	Banshee LF Fast Sweep (New)	830Hz to 970Hz swept at 9Hz <sup>†</sup>	4	95	6	101	12	84	6	90	13
6	Medium Sweep LF	800Hz to 970Hz swept at 1Hz <sup>†</sup>	7	95	6	102	12	84	6	90	13
7	Continuous LF	Continuous at 970Hz <sup>†</sup>	7	97	6	103	12	84	7	90	14
8	Back Up Alarm LF	Intermittent at 950Hz 1s on, 1s off	4	97	4	103	7	84	4	90	8
9	Alternate LF	Alternating 800Hz/1000Hz, 0.5s each sound <sup>†</sup>	4	94	8	101	14	84	7	90	14
10	Medium Sweep LF	800Hz to 1000Hz swept at 0.5s <sup>†</sup>	4	95	5	101	12	84	6	90	13
11	Alternate LF	Alternating Tones 800/950 at 3Hz <sup>†</sup>	4	96	6	103	14	84	7	90	14
12	Banshee/Bedlam HF Buzz	2400Hz to 2900Hz at 120Hz	15	102	12	110	25	90	15	96	30
13	Banshee/Bedlam HF Fast Sweep	2400Hz to 2900Hz at 9Hz	15	103	12	110	25	92	15	98	30
14	Banshee/Bedlam HF Slow Sweep	2400Hz to 2900Hz at 3Hz	15	103	12	110	25	90	15	96	30
15	Banshee/Bedlam HF Continuous	Continuous 2900Hz	15	105	12	112	30	94	13	100	30
16	Banshee HF Fast Sweep (New)	2450Hz to 3100Hz swept at 9Hz	15	103	12	110	25	87	14	94	31
17	Back Up Alarm HF	Intermittent at 2900Hz 1s on, 1s off	15	105	7	112	15	95	8	101	16
18	Alternate HF	Alternating Tones 2400/2900 at 3Hz	15	104	12	110	25	94	13	100	28
19	Slow Whoop	500Hz rising to 1200Hz over 3.5s, silence 0.5s, repeat	4	96	6	101	12	88	5	95	10
20	Din Tone (DK)	1200Hz falling to 500Hz over 1s, silence 10ms, repeat	4	93	6	101	14	87	5	93	10
21	French Fire Sound	554Hz for 100ms and 440Hz for 400ms	4	90	5	96	10	84	4	90	8
22	Australian Alert Signal	420Hz repeating 0.625s on, 0.625s off	4	88	3	94	6	83	3	90	5
23	Australian Evacuation Signal	500Hz to 1200Hz sweeping, 3.75s on, 0.25s off	4	96	6	103	12	88	5	94	10
24	US Temporal Tone LF	950Hz for 0.5s on 0.5s off, for 3 phases, silence for 1.5s & repeat	4	96	3	103	6	84	4	90	8
25	US Temporal Tone HF	2900Hz for 0.5s on 0.5s off, for 3 phases, silence for 1.5s & repeat	15	105	6	112	12	95	6	101	13
26	Swedish Tone (Fire)	Intermittent 660Hz 150ms on, 150ms off	26	81	4	87	7	86	3	92	6
27	Swedish Tone (All Clear)	Continuous 660Hz	27	84	5	89	14	87	5	93	10
28	ISO8201 LF	Intermittent 970Hz 500ms on, 500ms off	28	96	4	103	7	83	4	91	8
29	ISO8201 HF	Intermittent 2900Hz 500ms on, 500ms off	29	106	8	112	15	95	8	101	17
30	BT Banshee (P1063.1)	Yodel 800Hz/1000Hz, 0.25s each frequency <sup>†</sup>	31	93	8	101	14	84	7	90	14
31	BT Banshee (P1063.1)	Continuous 1000Hz <sup>†</sup>	31	95	8	102	17	84	8	90	16
32	Bell Tone	Bell Tone <sup>†</sup>	32	96	8	101	17	80	6	87	12

Notes:

# 2nd tone is for Banshee<sup>MT</sup> and Wafer<sup>MT</sup> only and has not been verified to be EN54-3 compliant.

<sup>†</sup> Tone meets frequency requirements of BS 5839 pt.1 2002.

- Full manufacturers data is available upon request.

## VIMPEX

**Vimpex Ltd**

Star Lane, Great Waking  
Essex, SS3 0PJ England.  
Tel: +44 (0) 1702 216999  
Fax: +44 (0) 1702 216699  
E-mail: sales@vimpex.co.uk

[www.vimpex.co.uk](http://www.vimpex.co.uk)



Quality System Certificate No. 456  
Assessed to ISO 9001:2000



We reserve the right to change or amend any design or specification in line with our policy of continuing development and improvement.

Part No: DS/BNSMT/ISS 10



- Fire-Cryer<sup>®</sup> Voice Enhanced Sounders
- Fire Alarm Bells
- Beacons and Strobe Lights
- Sounder Accessories & Fire System Ancillaries
- Stopper Range of Vandal Deterrent Products
- Water Leakage Detection Systems

## Other Products